



## *EMC Data Sheet*

# **Unidrive M100 – M400**

## *Model size 2*

Variable Speed AC drive for  
induction motors

## Warnings, Cautions and Notes



A **Warning** contains information which is essential for avoiding a safety hazard.



A **Caution** contains information which is necessary for avoiding a risk of damage to the product or other equipment.

**NOTE** A **Note** contains information, which helps to ensure correct operation of the product.

## Installation and Use

The information given in this data sheet is derived from tests and calculations on sample products. It is provided to assist in the correct application of the product, and is believed to correctly reflect the behaviour of the product when operated in accordance with the instructions. The provision of this data does not form part of any contract or undertaking. Where a statement of conformity is made with a specific standard, the manufacturer takes all reasonable measures to ensure that its products are in conformance. Where specific values are given these are subject to normal engineering variations between samples of the same product. They may also be affected by the operating environment and details of the installation arrangement.

The manufacturer accepts no liability for any consequences resulting from inappropriate, negligent or incorrect installation of the equipment.

The contents of this data sheet are believed to be correct at the time of printing. The manufacturer reserves the right to change the specification of the product or its performance, or the contents of the data sheet, without notice.



**All electrical installation and maintenance work must be carried out by qualified electricians, familiar with the requirements for safety and EMC. The installer is responsible for ensuring that the end product or system complies with all relevant laws in the country where it is used.**

## Copyright

All rights reserved. No parts of this data sheet may be reproduced or transmitted in any form by any means, electrical or mechanical including photocopying, recording or by an information storage or retrieval system, without permission in writing from the publisher

Copyright © 16 March 2015 Control Techniques Ltd

## Contents

1. Products.....	4
2. Immunity .....	4
3. Emission .....	7
3.1 Supply Harmonics.....	7
3.2 Conducted Radio Frequency Emission .....	18
3.3 Radiated Emission.....	23
4. Installation and Wiring Guidelines .....	25

# Unidrive - M Model Size 2 Drives - EMC Data Sheet

## 1. Products

This data sheet applies to the following products:

Mxxx – 021 00042A, Mxxx – 021 00056A, Mxxx – 022 00024A, Mxxx – 022 00033A,  
Mxxx – 022 00042A, Mxxx – 022 00056A, Mxxx – 022 00075A, Mxxx – 024 00013A,  
Mxxx – 024 00018A, Mxxx – 024 00023A, Mxxx – 024 00032A, Mxxx – 024 00041A

MEV1 – 022 00056A, MEV1 – 022 00075A  
MEV1 – 024 00013A, MEV1 – 024 00018A, MEV1 – 024 00023A, MEV1 – 024 00032A,  
MEV1 – 024 00041A

MEV2 – 024 00013A, MEV2 – 024 00018A, MEV2 – 024 00023A, MEV2 – 024 00032A,  
MEV2 – 024 00041A

MEV3 – 024 00013A, MEV3 – 024 00018A, MEV3 – 024 00023A, MEV3 – 024 00032A,  
MEV3 – 024 00041A

**Note:** Mxxx denotes M100, M200, M201, M300 or M400

## 2. Immunity

### 2.1.1 Compliance

The drives comply with the following international and European harmonised standards for immunity:

**Table 1 Immunity test levels**

Standard	Type of immunity	Test specification	Application	Level
EN 61000-4-2 IEC 61000-4-2	Electrostatic discharge	6 kV contact discharge 8 kV air discharge	Module enclosure	Level 3 (industrial)
EN 61000-4-3 IEC 61000-4-3	Radio frequency radiated field	Prior to modulation: 10 V/m 80 - 1000 MHz 3 V/m 1.4 - 2.0 GHz 1 V/m 2.0 - 2.7 GHz 80% AM (1 kHz) modulation Safe Torque Off (STO) tested to : 20V/m 80 - 1000MHz 6V/m 1.4 - 2.0 GHz 3V/m 2.0 - 2.7 GHz	Module enclosure	Level 3 (industrial)
EN 61000-4-4 IEC 61000-4-4	Fast transient burst	5/50 ns 2 kV transient at 5 kHz repetition frequency via coupling clamp	Control lines	Level 4 (industrial harsh)
		5/50 ns, 2 kV transient at 5 kHz repetition frequency by direct injection	Power lines	Level 3 (industrial)
IEC 61000-4-5	Surges	Common mode 4 kV 1.2/50µs wave shape	AC supply lines: line to earth	Level 4
		Differential mode 2 kV	AC supply lines: line to line	Level 3
		Common mode 1 kV	Control lines	(Note:1)

## Unidrive - M Model Size 2 Drives - EMC Data Sheet

Standard	Type of immunity	Test specification	Application	Level
EN 61000-4-6 IEC 61000-4-6	Conducted radio frequency	10 V prior to modulation 0.15 - 80 MHz 80% AM (1 kHz) modulation	Control and power lines	Level 3 (industrial)
EN 61000-4-11 IEC 61000-4-11	Voltage dips, short interruptions & variations	All durations	AC supply lines	
EN 61000-4-8 IEC 61000-4-8	Power frequency magnetic field	1700 A/m RMS. 2400 A/m peak (2.1 mT peak 3 mT RMS.) continuous at 50 Hz	Module enclosure	Exceeds level 5
EN 61000-6-1 IEC 61000-6-1	Generic immunity standard for the residential, commercial and light - industrial environment			Complies
EN 61000-6-2 IEC 61000-6-2	Generic immunity standard for the industrial environment			Complies
EN 61800-3 IEC 61800-3	Product standard for adjustable speed power drive systems (immunity requirements)		Meets immunity requirements for first and second environments	

**Note: 1** Applies to ports where connections may exceed 30 m length. Special provisions may be required in some cases – see additional information below.

Unless stated otherwise, immunity is achieved without any additional measures such as filters or suppressors. To ensure correct operation the wiring guidelines specified in the User Guide must be followed. All inductive components such as relays, contactors, electromagnetic brakes must be fitted with appropriate suppression.

### 2.1.2. Surge immunity of control circuits

The input/output ports for the control circuits are designed for general use within machines and small systems without any special precautions.

These circuits meet the requirements of EN 61000-6-2 (1 kV surge) provided that the 0V connection is not earthed. In general the circuits cannot withstand the surge directly between the control lines and the 0V connection.

The surge test simulates the effect of a lightning strike, or a severe electrical fault, where high transient voltages may exist between different points in the grounding system. This is a particular risk where the circuits are routed outside a building, or if the grounding system in a building is not well bonded.

In applications where control circuits are exposed to high-energy voltage surges, some special measures are required to prevent malfunction or damage. In general, circuits that are routed outside the building where the drive is located, or are longer than 30 m need additional protection. One of the following techniques should be used:

1. Galvanic isolation, Do not connect the control 0 V terminal to ground. Avoid loops in the control wiring, i.e. ensure every control wire is routed next to its associated return (0 V) wire.
2. Screened cable. The cable screen may be connected to ground at both ends. In addition the ground conductors at both ends of the cable must be bonded together by a power ground cable (equal potential bonding cable) with cross-sectional area of at least 10 mm<sup>2</sup>. This ensures that in the event of a fault, the fault current flows through the ground cable and not

## Unidrive - M Model Size 2 Drives - EMC Data Sheet

through signal cable screen. If the building or plant has a well-designed common bonded network this precaution is not necessary.

3. Additional over-voltage suppression. This applies to analogue and digital inputs and outputs. A zener diode network or a commercially available surge suppressor may be connected between the signal line and 0 V as shown in Figure 1 and Figure 2.

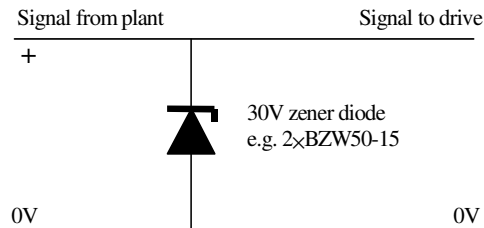


Figure 1 Surge suppression for digital and uni-polar analogue inputs and outputs

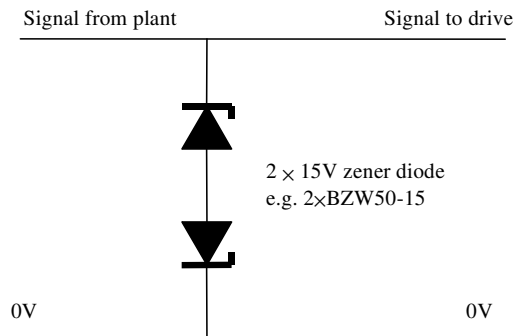


Figure 2 surge suppression for bipolar analogue inputs and outputs

Surge suppression devices are available as rail-mounting modules, e.g. from Phoenix Contact GmbH:

Unipolar	TT-UKK5-D/24 DC
Bipolar	TT-UKK5-D/24 AC

These devices are not suitable for encoder signals or fast digital data networks because the capacitance of the zener diodes adversely affects the signal. Most encoders have galvanic isolation of the signal circuit from the motor frame, in which case no precautions are required. For data networks, follow the specific recommendations for the particular network.

## Unidrive - M Model Size 2 Drives - EMC Data Sheet

### 3 Emission

#### 3.1 Supply Harmonics

##### 3.1.1 General

Emission occurs over a wide range of frequencies. The effects are divided into three main categories:

- Low frequency effects, such as supply harmonics and notching.
- High frequency emission below 30 MHz where emission is predominantly by conduction.
- High frequency emission above 30 MHz where emission is predominantly by radiation.

##### 3.1.2 Supply voltage notching

The drives cause no significant notching of the supply voltage.

##### 3.1.3 Supply harmonics

The input current contains harmonics of the supply frequency. The amplitude of the harmonic currents is affected by the supply impedance.

The amplitudes can be reduced by the use of line chokes (reactors).

The input current is affected by the motor efficiency. A standard IE2 4-pole motor has been assumed.

The calculations have been verified by laboratory measurements on sample drives.

The RMS current in the tables is lower than the maximum specified in the installation guide. The value in the installation guide is a worst-case value provided for safety reasons, which takes account of permitted supply voltage tolerances.

The harmonic levels in the tables assume that the drive is operating at full rated load current. As the load is reduced the absolute amplitudes of the harmonics are reduced but the amplitudes as a proportion of the fundamental current increase.

##### 3.1.4 Further measures for reducing harmonics

In most installations, harmonics do not cause problems unless more than 50% of the supply system capacity is consumed by the motor drive. In such cases remedial measures such as harmonic filters may be used, installed at the common supply point. Harmonic currents from drives add approximately arithmetically.

## Unidrive - M Model Size 2 Drives - EMC Data Sheet

### 3.1.5 Harmonic currents – single phase operation with 5kA fault level

The drive input impedance is low hence the harmonic current levels are affected by the impedance of the supply (fault current level).

Table 2 and Table 3 show the harmonic currents produced by the drive when connected to a supply with a fault current of 5 kA. This meets and exceeds the requirements of IEC 61800-3, clause 6.2.3.3, which specifies a fault current level of 250 times the drive rating.

**Table 2: Harmonic currents without line choke, single phase operation with 5 kA fault level**

Motor Power (kW)	RMS current (A)	Fundamental current (A)	THD (%)	Harmonic current (A)																		DPF (CosØ)	
				3	5	7	9	11	13	15	17	19	21	23	25	27	29	31	33	35	37		39
<b>Mxxx - 021 00042A</b>																							
0.75	8.98	4.60	166	4.36	3.83	3.17	2.48	1.90	1.48	1.22	1.02	0.81	7.5	0.39	0.25	0.21	0.21	0.18	0.12	0.08	0.08	0.09	0.430
<b>Mxxx - 021 00056A</b>																							
1.10	11.88	6.80	144	6.11	4.93	3.61	2.54	2.02	1.88	1.69	1.34	0.92	0.60	0.47	0.42	0.32	0.20	0.16	0.16	0.13	0.08	0.06	0.467
<b>Mxxx - 022 00024A</b>																							
0.37	5.38	2.50	192	2.36	2.14	1.88	1.65	1.46	1.29	1.11	0.90	0.65	0.41	0.22	0.13	0.14	0.14	0.10	0.06	0.04	0.05	0.06	0.383
<b>Mxxx - 022 00033A</b>																							
0.55	7.89	3.70	191	3.55	3.31	2.98	2.58	2.14	1.68	1.24	0.85	0.51	0.24	0.04	0.09	0.15	0.17	0.14	0.10	0.06	0.03	0.04	0.396
<b>Mxxx - 022 00042A</b>																							
0.75	9.82	4.70	186	4.50	4.18	3.72	3.17	2.57	1.97	1.40	0.89	0.48	0.17	0.05	0.16	0.20	0.18	0.13	0.07	0.02	0.04	0.07	0.401
<b>Mxxx - 022 00056A, MEV1 – 022 00056A</b>																							
1.10	13.79	7.10	168	6.72	6.06	5.17	4.13	3.06	2.05	1.19	0.52	0.18	0.30	0.37	0.34	0.24	0.14	0.10	0.13	0.14	0.13	0.09	0.440
<b>Mxxx - 022 00075A, MEV1 – 022 00075A</b>																							
1.50	17.09	9.00	163	8.48	7.57	6.34	4.94	3.52	2.22	1.15	0.38	0.22	0.42	0.44	0.34	0.20	0.11	0.14	0.17	0.16	0.12	0.07	0.449



## Unidrive - M Model Size 2 Drives - EMC Data Sheet

Table 3 Harmonic currents without line choke, three phase operation with 5 kA fault level

Motor Power (kW)	RMS current (A)	Fundamental current (A)	THD (%)	Harmonic current (A)												DPF (CosØ)
				5	7	11	13	17	19	23	25	29	31	35	37	
<b>Mxxx - 024 00013A, MEV1 - 024 00013A, MEV2 - 024 00013A, MEV3 - 024 00013A</b>																
0.37	2.03	0.90	198.22	0.89	0.85	0.75	0.69	0.56	0.49	0.35	0.28	0.16	0.12	0.04	0.02	0.448
<b>Mxxx - 024 00018A, MEV1 - 024 00018A, MEV2 - 024 00018A, MEV3 - 024 00018A</b>																
0.55	2.71	1.30	189.17	1.21	1.15	1.00	0.91	0.71	0.61	0.41	0.32	0.17	0.11	0.05	0.05	0.462
<b>Mxxx - 024 00023A, MEV1 - 024 00023A, MEV2 - 024 00023A, MEV3 - 024 00023A</b>																
0.75	3.19	1.60	169.33	1.47	1.33	1.07	0.97	0.81	0.72	0.49	0.36	0.14	0.09	0.10	0.09	0.502
<b>Mxxx - 024 00032A, MEV1 - 024 00032A, MEV2 - 024 00032A, MEV3 - 024 00032A</b>																
1.10	4.58	2.30	176.25	2.15	2.02	1.69	1.49	1.07	0.87	0.49	0.34	0.11	0.04	0.08	0.09	0.488
<b>Mxxx - 024 00041A, MEV1 - 024 00041A, MEV2 - 024 00041A, MEV3 - 024 00041A,</b>																
1.50	5.78	3.00	163.21	2.75	2.52	2.04	1.81	1.33	1.06	0.52	0.29	0.12	0.13	0.09	0.07	0.514
<b>Mxxx - 022 00024A</b>																
0.37	3.03	1.50	183.11	1.39	1.32	1.13	1.01	0.76	0.63	0.39	0.29	0.12	0.05	0.04	0.06	0.479
<b>Mxxx - 022 00033A</b>																
0.55	4.18	2.10	168.98	2.01	1.88	1.53	1.32	0.90	0.69	0.35	0.21	0.08	0.10	0.13	0.12	0.509
<b>Mxxx - 022 00042A</b>																
0.75	5.20	2.70	163.42	2.54	2.35	1.87	1.59	1.03	0.77	0.33	0.18	0.10	0.13	0.14	0.13	0.522
<b>Mxxx - 022 00056A, MEV1 - 022 00056A</b>																
1.10	7.34	4.10	148.70	3.74	3.39	2.49	1.99	1.07	0.69	0.23	0.21	0.26	0.24	0.15	0.11	0.557
<b>Mxxx - 022 00075A, MEV1 - 022 00075A</b>																
1.50	9.09	5.20	143.42	4.69	4.21	2.98	2.32	1.13	0.67	0.23	0.28	0.30	0.25	0.13	0.11	0.571

Note: for balanced three-phase applications the triple harmonics are negligible.

## Unidrive - M Model Size 2 Drives - EMC Data Sheet

### 3.1.6 Harmonic currents – single phase operation on a weak supply

In order to give some indication of how the harmonic currents are affected by the impedance of the supply, and to allow a realistic assessment of operation on a 'weak' supply (for equipment with input currents < 16A), Table 4 and Table 5 show the corresponding levels of harmonic currents for a low-current supply of residential type as specified in IEC60725 (See Note below).

The effect of the lower fault current is to reduce the amplitude of harmonic currents of order 9 and above.

**Table 4 Harmonic currents without line choke, single phase operation with supply impedance specified in IEC60725**

Motor Power (kW)	RMS current (A)	Fundamental current (A)	THD (%)	Harmonic current (A)																			DPF cosØ
				3	5	7	9	11	13	15	17	19	21	23	25	27	29	31	33	35	37	39	
<b>Mxxx - 022 00024A</b>																							
0.37	4.40	2.50	147.48	2.29	1.97	1.54	1.09	0.66	0.32	0.11	0.11	0.14	0.12	0.07	0.04	0.05	0.05	0.04	0.03	0.02	0.03	0.03	0.481
<b>Mxxx - 022 00033A</b>																							
0.55	6.01	3.60	132.83	3.27	2.65	1.89	1.14	0.53	0.19	0.21	0.22	0.16	0.09	0.08	0.09	0.07	0.05	0.05	0.05	0.04	0.03	0.03	0.515
<b>Mxxx - 022 00042A</b>																							
0.75	7.45	4.60	127.54	4.11	3.25	2.22	1.24	0.49	0.20	0.28	0.24	0.14	0.09	0.11	0.10	0.06	0.05	0.06	0.05	0.04	0.03	0.04	0.527
<b>Mxxx - 022 00056A, MEV1 – 022 00056A</b>																							
1.10	10.53	6.90	113.96	5.98	4.34	2.54	1.05	0.36	0.46	0.37	0.20	0.17	0.18	0.12	0.09	0.10	0.08	0.06	0.06	0.06	0.04	0.04	0.559

Note:  $Z = 0.4 + j0.25 \Omega$  for 240/ 400 V three-phase and 230 V single phase networks.  $Z = 0.35 + j0.13 \Omega$  for 110/ 200 V 3-wire, single-phase networks.

## Unidrive - M Model Size 2 Drives - EMC Data Sheet

Table 5 Harmonic currents without line choke, three phase operation with supply impedance specified in IEC60725

Motor Power (kW)	RMS current (A)	Fundamental current (A)	THD (%)	Harmonic current (A)												DPF CosØ
				5	7	11	13	17	19	23	25	29	31	35	37	
<b>Mxxx - 024 00013A, MEV1 - 024 00013A, MEV2 - 024 00013A, MEV3 - 024 00013A</b>																
0.37	1.71	0.90	159.58	0.84	0.78	0.61	0.51	0.32	0.23	0.09	0.05	0.04	0.05	0.05	0.04	0.530
<b>Mxxx - 024 00018A, MEV1 - 024 00018A, MEV2 - 024 00018A, MEV3 - 024 00018A</b>																
0.55	2.30	1.30	152.91	1.16	1.06	0.80	0.65	0.37	0.25	0.07	0.04	0.06	0.07	0.05	0.03	0.546
<b>Mxxx - 024 00023A, MEV1 - 024 00023A, MEV2 - 024 00023A, MEV3 - 024 00023A</b>																
0.75	2.89	1.60	147.68	1.48	1.34	0.98	0.78	0.41	0.26	0.05	0.04	0.08	0.07	0.04	0.03	0.559
<b>Mxxx - 024 00032A, MEV1 - 024 00032A, MEV2 - 024 00032A, MEV3 - 024 00032A</b>																
1.10	3.80	2.20	136.77	1.99	1.76	1.18	0.89	0.37	0.19	0.09	0.12	0.10	0.07	0.04	0.05	0.588
<b>Mxxx - 024 00041A, MEV1 - 024 00041A, MEV2 - 024 00041A, MEV3 - 024 00041A,</b>																
1.50	4.96	3.00	131.10	2.64	2.29	1.46	1.04	0.36	0.14	0.14	0.15	0.10	0.06	0.05	0.06	0.604
<b>Mxxx - 022 00024A</b>																
0.37	2.33	1.40	128.38	1.25	1.07	0.66	0.46	0.16	0.08	0.09	0.09	0.05	0.04	0.04	0.04	0.611
<b>Mxxx - 022 00033A</b>																
0.55	3.22	2.10	116.04	1.75	1.44	0.75	0.46	0.13	0.14	0.12	0.09	0.06	0.06	0.05	0.03	0.647
<b>Mxxx - 022 00042A</b>																
0.75	3.99	2.70	110.54	2.18	1.75	0.83	0.46	0.16	0.18	0.13	0.08	0.07	0.07	0.04	0.04	0.664
<b>Mxxx - 022 00056A, MEV1 - 022 00056A</b>																
1.10	5.67	4.10	98.29	3.09	2.31	0.82	0.37	0.29	0.25	0.11	0.12	0.09	0.07	0.06	0.06	0.702
<b>Mxxx - 022 00075A, MEV1 - 022 00075A</b>																
1.50	7.00	5.10	92.77	3.78	2.72	0.81	0.35	0.35	0.25	0.14	0.15	0.09	0.08	0.07	0.05	0.721

Note: for balanced three-phase applications the triple harmonics are negligible.

## Unidrive - M Model Size 2 Drives - EMC Data Sheet

### 3.1.7 Harmonic currents – effect of line choke

Harmonic current levels can be reduced by fitting a choke (reactor) in series with the input supply lines to the drive. This also gives increased immunity from supply disturbances such as voltage surges caused by the switching of high-current loads or power-factor correction capacitors on the same supply circuit.

Table 6 and Table 7 show the harmonic currents with a 2% choke fitted in series with the supply lines.

**Table 6 Harmonic currents with line reactors, single phase operation with 2% line choke**

Motor Power (kW)	RMS current (A)	Fundamental current (A)	THD (%)	Harmonic current (A)																	Choke inductance (mH)	DPF CosØ		
				3	5	7	9	11	13	15	17	19	21	23	25	27	29	31	33	35			37	39
<b>Mxxx - 021 00042A</b>																								
0.75	5.86	4.5	84.3	3.31	1.68	0.51	0.35	0.24	0.14	0.13	0.08	0.08	0.06	0.05	0.04	0.03	0.03	0.03	0.02	0.02	0.02	0.02	2.0	0.64
<b>Mxxx - 021 00056A</b>																								
1.10	8.76	6.7	85.9	4.97	2.60	0.80	0.49	0.37	0.20	0.19	0.12	0.11	0.09	0.07	0.07	0.05	0.05	0.04	0.04	0.03	0.03	0.03	1.35	0.64
<b>Mxxx - 022 00024A</b>																								
0.37	3.63	2.4	110.2	2.07	1.46	0.81	0.32	0.16	0.17	0.11	0.07	0.07	0.06	0.04	0.04	0.03	0.03	0.02	0.02	0.02	0.02	0.02	1.96	0.57
<b>Mxxx - 022 00033A</b>																								
0.55	5.27	3.6	108.0	3.01	2.08	1.11	0.41	0.24	0.25	0.15	0.10	0.11	0.08	0.06	0.06	0.05	0.04	0.04	0.03	0.03	0.03	0.02	1.12	0.58
<b>Mxxx - 022 00042A</b>																								
0.75	6.53	4.6	102.9	3.75	2.47	1.20	0.39	0.32	0.27	0.15	0.13	0.12	0.08	0.07	0.06	0.05	0.05	0.04	0.03	0.03	0.03	0.02	1.12	0.59
<b>Mxxx - 022 00056A, MEV1 – 022 00056A</b>																								
1.10	9.52	6.9	95.9	5.47	3.32	1.36	0.47	0.50	0.31	0.20	0.20	0.13	0.11	0.10	0.07	0.07	0.06	0.05	0.05	0.04	0.04	0.03	0.79	0.61
<b>Mxxx - 022 00075A, MEV1 – 022 00075A</b>																								
1.50	12.69	8.8	104.55	7.27	4.86	2.43	0.85	0.64	0.56	0.32	0.26	0.24	0.16	0.14	0.13	0.10	0.09	0.09	0.07	0.06	0.06	0.05	0.79	0.59

# Unidrive - M Model Size 2 Drives - EMC Data Sheet

Table 7 Harmonic currents with line reactors, three phase operation with 2% line choke

Motor Power (kW)	RMS current (A)	Fundamental current (A)	THD (%)	Harmonic current (A)												Choke inductance (mH)	DPF (CosØ)
				5	7	11	13	17	19	23	25	29	31	35	37		
<b>Mxxx - 024 00013A, MEV1 – 024 00013A, MEV2 – 024 00013A, MEV3 – 024 00013A</b>																	
0.37	1.23	0.90	95.15	0.67	0.49	0.16	0.08	0.07	0.05	0.03	0.03	0.02	0.02	0.01	0.01	6.1	0.713
<b>Mxxx - 024 00018A, MEV1 - 024 00018A, MEV2 - 024 00018A, MEV3 - 024 00018A</b>																	
0.55	1.69	1.20	92.33	0.91	0.65	0.20	0.10	0.08	0.06	0.04	0.04	0.02	0.02	0.02	0.01	5.1	0.723
<b>Mxxx - 024 00023A, MEV1 - 024 00023A, MEV2 - 024 00023A, MEV3 - 024 00023A</b>																	
0.75	2.12	1.60	87.03	1.13	0.77	0.20	0.11	0.09	0.06	0.05	0.04	0.03	0.03	0.02	0.02	5.1	0.740
<b>Mxxx - 024 00032A, MEV1 - 024 00032A, MEV2 - 024 00032A, MEV3 - 024 00032A</b>																	
1.10	2.98	2.20	90.23	1.60	1.13	0.32	0.16	0.14	0.10	0.07	0.06	0.04	0.04	0.03	0.02	2.94	0.730
<b>Mxxx - 024 00041A, MEV1 - 024 00041A, MEV2 - 024 00041A, MEV3 - 024 00041A</b>																	
1.50	3.88	3.00	84.19	2.05	1.37	0.31	0.19	0.16	0.09	0.08	0.06	0.05	0.04	0.03	0.03	2.94	0.750
<b>Mxxx - 022 00024A</b>																	
0.37	1.94	1.40	92.52	1.04	0.75	0.23	0.11	0.10	0.07	0.04	0.04	0.03	0.02	0.02	0.02	1.96	0.721
<b>Mxxx - 022 00033A</b>																	
0.55	2.83	2.10	91.25	1.52	1.08	0.32	0.16	0.15	0.10	0.07	0.06	0.04	0.04	0.03	0.02	1.12	0.725
<b>Mxxx - 022 00042A</b>																	
0.75	3.50	2.70	85.79	1.86	1.25	0.31	0.19	0.16	0.10	0.08	0.07	0.04	0.04	0.03	0.03	1.12	0.743
<b>Mxxx - 022 00056A, MEV1 - 022 00056A</b>																	
1.10	5.13	4.00	79.34	2.66	1.68	0.35	0.31	0.18	0.13	0.11	0.08	0.07	0.06	0.04	0.04	0.79	0.764
<b>Mxxx - 022 00075A, MEV1 - 022 00075A</b>																	
1.50	6.32	5.10	73.65	3.19	1.89	0.37	0.39	0.18	0.16	0.11	0.09	0.07	0.06	0.05	0.04	0.79	0.783

Note: for balanced three-phase applications the triple harmonics are negligible.

## Unidrive - M Model Size 2 Drives - EMC Data Sheet

### 3.1.8 Harmonic Currents – compliance with EN 61000-3-2 and IEC 61000-3-2

These standards set limits for harmonic currents for professional equipment with input current < 16 A and input power < 1kW. The following products fall into this category:

Mxxx - 022 00024A, Mxxx - 022 00033A, Mxxx - 022 00042A, Mxxx - 024 00013A, Mxxx - 024 00018A, Mxxx - 024 00023A, MEV1 - 022 00042A, MEV1 - 024 00013A, MEV1 - 024 00018A, MEV1 - 024 00023A, MEV2 - 022 00042A, MEV2 - 024 00013A, MEV2 - 024 00018A, MEV2 - 024 00023A, MEV3 - 022 00042A, MEV3 - 024 00013A, MEV3 - 024 00018A, MEV3 - 024 00023A,  
**Note:** Mxxx denotes M100, M200, M201, M300 or M400

Drives with rated input power above 1 kW, and rated input current per phase below 16 A conform to EN61000-3-2 since there are no limits defined in the standard.

System designers should consider carefully whether conformance to these standards is really a requirement for their application. It is the total input power of the system or machine which must be less than 1kW for these standards to apply. This is unusual in professional machinery.

**Table 8 Harmonic currents with line reactors, single phase operation with line chokes meeting EN61000-3-2**

Motor Power (kW)	RMS current (A)	Fundamental current (A)	THD (%)	Harmonic current (A)																			Choke inductance (mH)	DPF (CosØ)	
				3	5	7	9	11	13	15	17	19	21	23	25	27	29	31	33	35	37	39			
<b>Harmonic current limits from EN61000-3-2 Table 1 (A)</b>																									
-	-	-	-	2.30	1.14	0.77	0.40	0.33	0.21	0.15	0.13	0.12	0.11	0.10	0.09	0.08	0.08	0.07	0.07	0.06	0.06	0.06	-	-	
<b>Mxxx - 022 00024A</b>																									
0.37	3.28	2.40	92.04	1.88	1.08	0.40	0.18	0.17	0.09	0.08	0.06	0.04	0.04	0.03	0.03	0.02	0.02	0.02	0.02	0.02	0.01	0.01	0.01	5.1	0.62
<b>Mxxx - 022 00042A</b>																									
0.75	4.84	4.30	51.75	2.15	0.42	0.30	0.15	0.10	0.08	0.05	0.04	0.04	0.03	0.02	0.02	0.02	0.02	0.01	0.01	0.01	0.01	0.01	0.01	16.0	0.67
<b>Mxxx - 022 00033A</b>																									
0.55	4.16	3.50	67.04	2.17	0.72	0.28	0.19	0.12	0.09	0.06	0.05	0.04	0.03	0.03	0.02	0.02	0.02	0.02	0.02	0.01	0.01	0.01	0.01	10.0	0.66

# Unidrive - M Model Size 2 Drives - EMC Data Sheet

Table 9 Harmonic currents with line reactors, three phase operation with line chokes meeting EN61000-3-2

Motor Power (kW)	RMS current (A)	Fundamental current (A)	THD (%)	Harmonic current (A)												Choke Inductance (mH)	DPF (CosØ)
				5	7	11	13	17	19	23	25	29	31	35	37		
<b>Harmonic current limits from EN61000-3-2 Table 1 (A)</b>																	
-	-	-		1.14	0.77	0.33	0.21	0.13	0.12	0.10	0.09	0.08	0.07	0.06	0.32	-	-
<b>Mxxx - 024 00013A, MEV1 - 024 00013A, MEV2 - 024 00013A, MEV3 - 024 00013A</b>																	
0.37	1.34	0.90	111.58	0.73	0.59	0.29	0.16	0.06	0.07	0.05	0.03	0.03	0.03	0.02	0.01	2.94	0.662
<b>Mxxx - 024 00018A, MEV1 - 024 00018A, MEV2 - 024 00018A, MEV3 - 024 00018A</b>																	
0.55	1.74	1.20	97.91	0.94	0.70	0.25	0.12	0.09	0.07	0.04	0.04	0.03	0.02	0.02	0.02	5.1	0.705
<b>Mxxx - 024 00023A, MEV1 - 024 00023A, MEV2 - 024 00023A, MEV3 - 024 00023A</b>																	
0.75	2.08	1.60	83.18	1.09	0.72	0.16	0.11	0.08	0.05	0.05	0.03	0.03	0.02	0.02	0.02	6.1	0.752
<b>Mxxx - 022 00024A</b>																	
0.37	1.85	1.40	84.53	0.98	0.65	0.16	0.11	0.08	0.05	0.04	0.03	0.02	0.02	0.02	0.02	2.94	0.747
<b>Mxxx - 022 00033A</b>																	
0.55	2.33	2.00	54.12	0.98	0.47	0.16	0.10	0.07	0.05	0.04	0.03	0.03	0.02	0.02	0.02	5.1	0.857
<b>Mxxx - 022 00042A</b>																	
0.75	2.88	2.60	47.38	1.11	0.47	0.20	0.11	0.09	0.05	0.05	0.03	0.03	0.02	0.02	0.02	5.1	0.881

Note: for balanced three-phase applications the triple harmonics are negligible.

## Unidrive - M Model Size 2 Drives - EMC Data Sheet

### 3.1.9 Harmonic Currents – compliance with EN 61000-3-12 and IEC 61000-3-12

These standards set limits for harmonic currents for professional equipment with input currents between 16 A and 75 A.

The following products fall into this category, when operated from single phase supply:

Mxxx - 021 00042A, Mxxx - 021 0056A, Mxxx - 022 000 75A, MEV1 - 022 00075A.

**Note:** Mxxx denotes M100, M200, M201, M300 or M400

**Table 10 Harmonic currents with line reactors, single phase operation with line chokes meeting EN61000-3-12, Table 2, for RCSE ≥ 120**

Motor Power (kW)	RMS current (A)	Fundamental current (A)	THD (%)	PWHF (%)	Harmonic current (% of fundamental)																	Choke inductance (mH)	DPF CosØ		
					3	5	7	9	11	13	15	17	19	21	23	25	27	29	31	33	35			37	39
<b>Harmonic current limits from EN61000-3-12 Table 2 (% of fundamental)</b>																									
-	-	-	30	30	27	15	10	6	5	4	-	-	-	-	-	-	-	-	-	-	-	-	-	-	-
<b>Mxxx – 021 00042A</b>																									
0.75	4.17	4.0	27.3	5.63	25.7	8.0	3.5	1.9	1.3	1.0	0.8	0.6	0.5	0.4	0.3	0.3	0.2	0.2	0.2	0.2	0.1	0.1	0.1	24	0.63
<b>Mxxx – 021 00056A</b>																									
1.10	6.11	5.9	25.4	5.25	23.9	7.6	3.5	1.9	1.2	0.9	0.7	0.6	0.5	0.4	0.3	0.3	0.2	0.2	0.2	0.2	0.1	0.1	0.1	18	0.63
<b>Mxxx – 022 00075A, MEV1 – 022 00075A</b>																									
1.50	8.08	7.8	27.9	5.66	26.3	8.1	3.5	1.9	1.3	1.0	0.8	0.6	0.5	0.4	0.3	0.3	0.2	0.2	0.2	0.2	0.1	0.1	0.1	24	0.63



## Unidrive - M Model Size 2 Drives - EMC Data Sheet

### 3.1.10 Line choke ratings

The ratings of the required 2% line chokes are shown in Table 11

**Table 11 Choke specifications, single phase**

Drive Model No.	Current rating (A)	Inductance (mH)	CT Part No.
Mxxx - 021 00042A, Mxxx - 022 00024A	4.3	1.96	4401-0224
Mxxx - 021 00056A, Mxxx - 022 00033A Mxxx - 022 00042A	7.5	1.12	4401-0225
Mxxx - 022 00056A, MEV1 – 022 00056A Mxxx - 022 00075A, MEV1 – 022 00075A	13.5	0.79	4401-0143

Note: Mxxx denotes M100, M101, M200, M201, M300 or M400

**Table 12 Choke specifications, three phase**

Drive Model No.	Current rating (A)	Inductance (mH)	CT Part No.
Mxxx - 024 00013A, MEV1 – 024 00013A MEV2 – 024 00013A, MEV3 – 024 00013A	2.4	6.1	4401-0232
Mxxx - 024 00018A, MEV1 - 024 00018A MEV2 - 024 00018A, MEV3 - 024 00018A	3.5	5.1	4401-0233
Mxxx - 024 00023A, MEV1 - 024 00023A MEV2 - 023 00023A, MEV3 - 024 00023A Mxxx - 024 00032A, MEV1 - 024 00032A MEV2 - 032 00032A, MEV3 - 024 00032A	6.6	2.94	4401-0148
Mxxx - 024 00041A, MEV1 - 024 00041A MEV2 - 024 00041A, MEV3 - 024 00041A,			
Mxxx - 022 00024A	4.3	1.96	4401-0224
Mxxx - 022 00033A	7.5	1.12	4401-0225
Mxxx - 022 00056A, MEV1 - 022 00056A Mxxx - 022 00075A, MEV1 - 022 00075A	13.5	0.79	4401-0143

Note: Mxxx denotes M100, M101, M200, M201, M300 or M400

### 3.1.11 Voltage fluctuations and Flicker

When running at constant load, the drive does not generate voltage fluctuations or flicker. Care must be taken to ensure that the application does not cause the load to vary rapidly, resulting in flicker. Cyclical variations in the region of 2 Hz to 20 Hz are likely to cause irritating lighting flicker and should be avoided. The maximum RMS input current (including inrush current) does not exceed 17A. This meets the requirements of EN61000-3-3.

## Unidrive - M Model Size 2 Drives - EMC Data Sheet

### 3.2 Conducted Radio Frequency Emission

#### 3.2.1 Environment

Radio frequency emission in the range from 150 kHz to 30 MHz is generated by the switching action of the main power devices and is mainly conducted out of the equipment through the electrical power wiring. It is essential for compliance with the emission standards that the recommended filter and a shielded (screened) motor cable are used. Precautions to minimise emissions are shown in Figure: 7.

The drives are designed to comply with the product standard EN61800-3, Adjustable Speed Power Drive Systems - EMC requirements and specific test methods.

The standard defines two types of environment:

- First environment. Domestic premises and other premises that share a connection with domestic premises. Examples include houses, apartments, shops, offices in a residential building.
- Second environment. Factories and other premises that are supplied from a dedicated transformer.

#### 3.2.2 EMC Category

The product standard defines four categories of product:

- Category C1 - intended for use in the first environment
- Category C2 - intended for use in the first environment, only when it is neither a plug-in device nor a movable device, and is intended to be installed and commissioned only by a professional
- Category C3 - intended for use in the second environment:
- Category C4 - intended for use in the second environment in a system rated at over 400 A, or in a complex system

Several factors affect the emissions including the type of motor cable, cable length, switching frequency and filtering. These are described in more detail below.

#### 3.2.3 Choice of Motor Cable

In order to comply with the emission standards, screened (armoured) motor cable must be used.

Most types of cable can be used provided that it has an overall screen, which is continuous for its entire length. SY cable to BS EN 50525 is recommended. Armoured steel cable is acceptable.

The capacitance of the cable forms a load on the drive and filter, and should be kept to a minimum. Tests were carried out using a cable with a capacitance of 412 pF/m (measured at 1 kHz), which is typical of steel armoured cable.

#### 3.2.4 Cable length

The level of conducted emissions is affected by the length of the cable. A shorter the cable results in lower emissions.

#### 3.2.5 Switching Frequency

The level of conducted emission is affected by the drive switching frequency. The lower the switching frequency is, the lower the emissions.

#### 3.2.6 Internal Filter

The drives contain an internal filter which gives a reduction of approximately 30dB in the level of emission at the supply terminals.

## Unidrive - M Model Size 2 Drives - EMC Data Sheet

Unlike a conventional filter, the internal filter continues to provide this attenuation with a long motor cable. The internal filter is the most economic option for industrial installations. For practical purposes, this filter in conjunction with a screened motor cable is sufficient to prevent the drive from causing interference to most good-quality industrial equipment.

It is recommended that the internal filter is used in any situation where the earth leakage current is acceptable.

### 3.2.7 Earth leakage current

The leakage current of the internal filter is greater than 3.5 mA. In some installations this is not acceptable. The User Guide gives instructions on how to remove and replace the internal filter.



**With the exception of the low earth leakage versions of RFI filter, the external RFI filters and the internal filter have earth leakage current exceeding 3.5 mA. A permanent fixed earth connection is necessary to avoid an electrical shock hazard. Additional precautions, such as a supplementary earth connection or earth monitoring system, may be required.**

### 3.2.8 External filter

For applications where there are strict requirements for radio emission, for example to the generic standard (EN61000-6-4) or the first environment in EN61800-3, an external filter must be used. The types of filter offered by Control Techniques are shown in Table 13.

**Table 13 Recommended external filters**

Filter type	Earth leakage current (mA)	Motor cable length (m)	Input filter (CT Part No.)
Standard, Single Phase 110V	20.8	0 to 100	4200-2000
Standard, Single Phase 230V	24.6	0 to 100	4200-2001
Low leakage, Single Phase 230V	3.4	0 to 100	4200-2002
Standard, Three Phase 230V	24.6	0 to 100	4200-2003
Low leakage, Three Phase 230V	1.84	0 to 100	4200-2004
Standard, Three Phase 480V	3.6	0 to 100	4200-2005
Low leakage, Three Phase 480V	1.2	0 to 100	4200-2006

Table 14 shows how the level of conducted emissions varies with the filtering options, motor cable length and switching frequency. External filters should not be used under conditions indicated by a '-' in the table, since the filter magnetic components may become saturated and operate beyond their rated energy density.

**Table 14 Conducted emissions**

Motor cable length (m)	Switching Frequency (kHz)								
	0.667	1	2	3	4	6	8	12	16
Using internal filter only									
2	C3	C3	C3	C3	C3	C3	C3	C4	C4
10	C4	C4	C4	C4	C4	C4	C4	C4	C4
Using standard filter and internal filter									
2	C1	C1	C1	C1	C1	C1	C1	C1	C1
20	C1	C1	C1	C1	C2	C2	C2	C2	C2
100	C2	C2	C2	C2	-	-	-	-	-
Using low leakage filter									
10	C1	C1	C1	C1	-	-	-	-	-

## Unidrive - M Model Size 2 Drives - EMC Data Sheet

Table 15 Conducted Emissions Limits and Key to Table 14

Code	Standard	Description	Frequency range	Limits	Application
R	EN 61000-6-3 IEC 61000-6-3 EN 50081-1	Residential: Generic emission standard for the residential commercial and light - industrial environment	0.15 - 0.5 MHz limits decrease linearly with log frequency	66-56 dB $\mu$ V quasi peak 56-46 dB $\mu$ V average	AC supply lines
			0.5 - 5 MHz	56 dB $\mu$ V quasi peak 46 dB $\mu$ V average	
			5 - 30 MHz	60 dB $\mu$ V quasi peak 50 dB $\mu$ V average	
	EN 61800-3 IEC 61800-3	Product standard for adjustable speed power drive systems	Category C1		
I	EN 61000-6-4 IEC 61000-6-4 EN 50081-2	Industrial: Generic emission standard for the industrial environment	0.15 – 0.5 MHz	79 dB $\mu$ V quasi peak 66 dB $\mu$ V average	AC supply lines
			0.5 –30 MHz	73 dB $\mu$ V quasi peak 60 dB $\mu$ V average	
	EN 61800-3 IEC 61800-3	Product standard for adjustable speed power drive systems	Category C2		
C1	EN 61800-3 IEC 61800-3	Product standard for adjustable speed power drive systems	Category C1 - intended for use in the first environment		
C2			Category C2 - intended for use in the first environment, only when it is neither a plug-in device nor a movable device, and in intended to be installed and commissioned only by a professional		
C3			Category C3 - intended for use in the second environment:		
C4			Category C4 - intended for use in the second environment in a system rated at over 400A, or in a complex system		

*If the drive is used in the first environment with category C1 or C2 provisions according to EN 61800-3, the drive may cause radio interference requiring supplementary mitigation measures.*

### Notes

1. Where the drive is incorporated into a system with rated input current exceeding 100 A, the higher emission limits of EN 61800-3 for the second environment are applicable, and no filter is required.

2. Operation without a filter is a practical cost-effective possibility in an industrial installation where existing levels of electrical noise are likely to be high, and any electronic equipment in operation has been designed for such an environment. This is in accordance with EN 61800-3 in the second environment. There is some risk of disturbance to other equipment, and in this case the user and supplier of the drive system must jointly take responsibility for correcting any problem which occurs.

## Unidrive - M Model Size 2 Drives - EMC Data Sheet

### 3.2.9 Related product standards

The conducted emission levels specified in the generic emission standards are equivalent to the levels required by the following product specific standards:

**Table 16 Conducted Emissions Standards**

Conducted emission from 150 kHz to 30 MHz		
Generic standard	Product standard	
EN 61000-6-3 EN 50081-1	EN 55011 Class B CISPR 11 Class B	Industrial, scientific and medical equipment
	EN 55014 CISPR 14	Household electrical appliances
	EN 55022 Class B CISPR 22 Class B	Information technology equipment
EN 61000-6-4 EN 50081-2	EN 55011 Class A Group 1 CISPR 11 Class A Group 1	Industrial, scientific and medical equipment
	EN 55022 Class A CISPR 22 Class A	Information technology equipment

### 3.2.10 Shared external filters for multiple drives

When more than one drive is used in the same enclosure, some cost saving is possible by sharing a single filter of suitable current rating between several drives. Tests have shown that combinations of drives with a single filter are able to meet the same emission standard as a single drive, provided that all filters and drives are mounted on the same metal plate. Because of the unpredictable effect of the additional wiring and the need for separate fuses for the drives on the drive side of the filter, this arrangement is not recommended where strict compliance with a specific standard is required, unless emission tests can be carried out.

## Unidrive - M Model Size 2 Drives - EMC Data Sheet

### 3.2.11 Typical conducted emission test data

A typical conducted emissions plot is shown in Figure 3.

The operating conditions are:

- Recommended external filter
- Switching frequency = 3 kHz
- Motor cable length = 100 m

All the drives in the product range meet the Industrial emissions limits (**C2**) when used with an external filter.

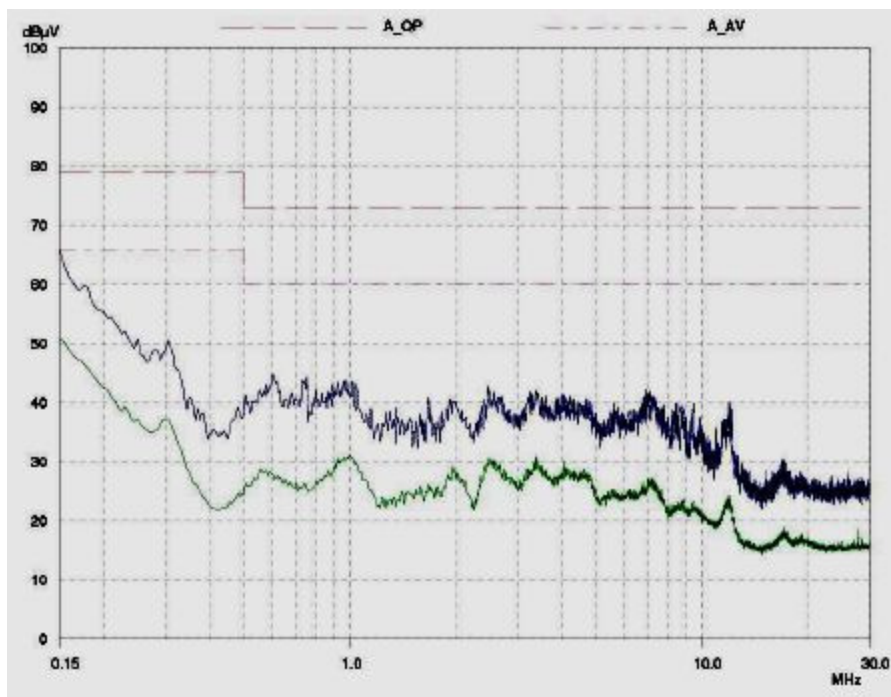


Figure 3 Conducted Emission M200 - 024 00041A, 3 kHz switching frequency, 100 m cable, filter 4200-2003

## Unidrive - M Model Size 2 Drives - EMC Data Sheet

### 3.3 Radiated Emission

#### 3.3.1 Compliance

When installed in a standard metal enclosure according to the wiring guidelines, and using the standard or low leakage mains input filters, the drive will meet the radiated emission limits for Category C2, which is required by the generic industrial emission standard EN 61000-6-4 (previously EN 50081-2).

#### 3.3.2 Test Conditions

Compliance was achieved in tests using representative enclosures and following the guidelines given in this data sheet. No special EMC techniques were used beyond those described here. Every effort was made to ensure that the arrangements were robust enough to be effective despite the normal variations which will occur in practical installations. However no warranty is given that installations built according to these guidelines will necessarily meet the same emission limits.

The limits for emission required by the generic emission standards are summarised in Table 17.

**Table 17 Generic Radiated Emissions Limits**

Standard	Frequency range	Limits	Category	Comments
EN 61000-6-3	30 - 230 MHz	30 dB $\mu$ V/m quasi peak at 10 m	C1	
	230 - 1000 MHz	37 dB $\mu$ V/m quasi peak at 10 m		
EN 61000-6-4	30 - 230 MHz	40 dB $\mu$ V/m quasi peak at 10 m	C2	Standard specifies limits of 30 and 37 dB $\mu$ V/m respectively at a measuring distance of 30 m; emission may be measured at 10 m if limits are increased by 10 dB
	230 - 1000 MHz	47 dB $\mu$ V/m quasi peak at 10 m		
EN61800-3	30 - 230 MHz	50 dB $\mu$ V/m quasi peak at 10 m	C3	
	230 - 1000 MHz	60 dB $\mu$ V/m quasi peak at 10 m		

The radiated emissions requirements contained in the product standard for adjustable speed drives EN61800-3 are shown in Table 18.

**Table 18 EN61800-3 Radiated Emissions Requirements**

Generic standard	Product standard	
EN 61000-6-4	CISPR 11 Class A Group 1 EN 55011 Class A Group 1	Industrial, scientific and medical equipment
	EN 55022 Class A CISPR 22 Class A	Information technology equipment
	EN 61800-3	Adjustable speed electrical power drive systems

#### 3.3.3 Test Data

The test data are based on radiated emission measurements made in a standard steel enclosure containing a single drive in a calibrated open area test site. Details of the test arrangement are as follows:

A standard Rittal enclosure was used with dimensions 1900 mm (high) x 600 mm (wide) x 500 mm (depth). Two ventilation grilles, both 200 mm square, were provided on the upper and lower faces of the door.

## Unidrive - M Model Size 2 Drives - EMC Data Sheet

The drive was mounted onto the 'Standard' RFI input filter, which was fitted to the internal back-plate of the enclosure, the filter casing making electrical contact with the back-plate by the fixing screws. Standard unscreened power cables were used to connect the complete unit to the supply.

A standard AC induction motor was connected by 2.5m of shielded cable (steel braided - type SY) and mounted externally.

The motor cable screen was clamped to the enclosure back-plate. The motor cable screen was also bonded to the motor frame.

A 2m screened control cable was connected to the drive control terminals with the screen clamped to the enclosure back-plate

A 2m unscreened status relay cable was connected to the drive.

A 2m screened communications cable was connected to the drive. The screen was not electrically connected to the drive or cubicle back panel.

The drive was operated at 6Hz, with a switching frequency of 16 kHz which is the worst case for RF emission. No additional EMC preventative measures were taken, e.g. RFI gaskets around the cubicle doors.

Table 19 summarises the results for radiated emission, showing the six highest measurements over the frequency range 30 to 1000 MHz:

**Table 19 Radiated Emission Measured Levels**

<b>Frequency (MHz)</b>	<b>Emission (dB <math>\mu</math>V/m)</b>	<b>Level required by EN 61000-6-4 C2 at 10 m (dB <math>\mu</math>V/m)</b>
45.88	27.89	40
46.32	30.06	40
46.64	31.24	40
47.32	32.70	40
47.52	32.05	40
47.68	31.11	40

Conclusion: The limit for EN 61000-6-4 C2 is met with a margin of at least 7 dB.

### 3.3.4 Enclosure construction

For most installations the enclosure will have a back-plate which will be used to mount variable speed drive modules, RFI filters and ancillary equipment. This back-plate can be used as the EMC earth plane, so that all metal parts of these items and cable screens are fixed directly to it. Its surface should have a conductive protective surface treatment such as zinc plate. If it is painted then paint will have to be removed at the points of contact to ensure a low-inductance earth connection which is effective at high frequency.

The motor cable screen must be clamped to the drive grounding clamp. It may also be bonded at the point of exit, through the normal gland fixings.

Depending on construction, the enclosure wall used for cable entry might have separate panels and have a poor connection with the remaining structure at high frequencies. If the motor cable is only bonded to these surfaces and not to a back-plate, then the enclosure may provide insufficient attenuation of RF emission. The use of the purpose-designed drive grounding clamp is strongly recommended.

It is the bonding to a common metal plate which minimises radiated emission. There is no need for a special EMC enclosure with gaskets etc. In the tests described, opening the cubicle door had little effect on the emission level, showing that the enclosure itself does not provide significant screening.



# Unidrive - M Model Size 2 Drives - EMC Data Sheet

## 4 Installation and Wiring Guidelines

### 4.1.1 General Guidelines

The wiring guidelines on the following pages should be observed to achieve minimum radio frequency emission. The details of individual installations may vary, but aspects which are indicated in the guidelines as important for EMC must be adhered to closely.

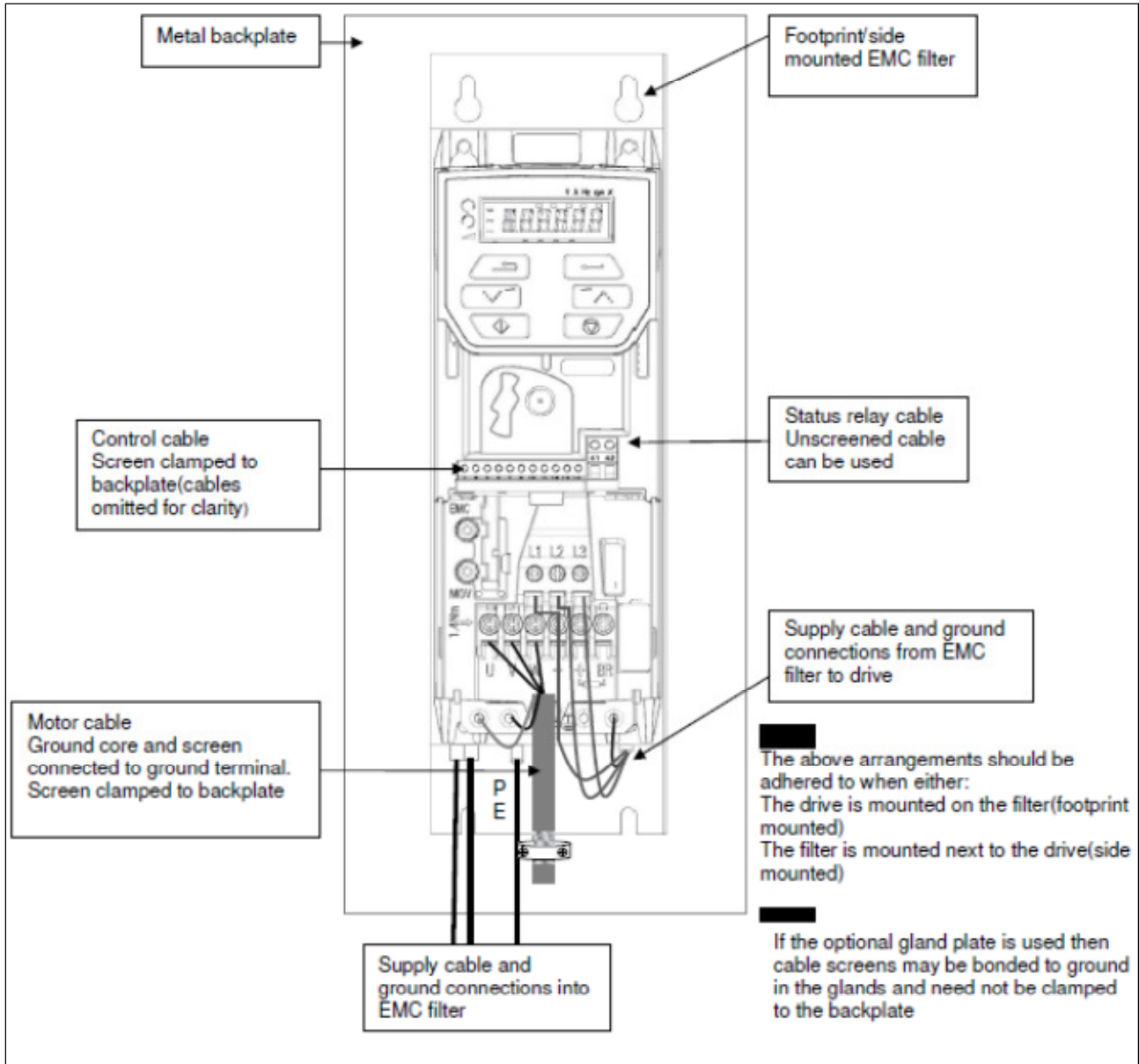


Figure 4 Wiring guidelines

Figure 4 shows a typical installation with precautions for EMC reduction. These guidelines do not preclude the application of more extensive measures which may be preferred by some installers. For example, the use of full 360° ground terminations on shielded cables in the place of 'pig-tail' ground connections is beneficial, but is not necessary unless specifically stated in the instructions.

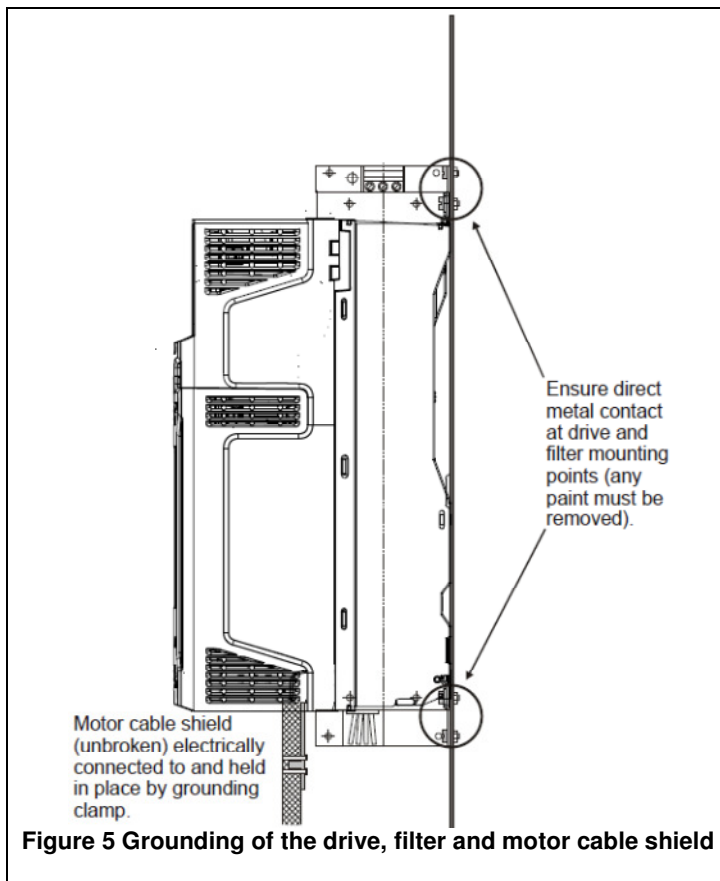
### 4.1.2 Mounting on back plate

The drive is normally mounted on top of the filter. If the filter needs to be mounted alongside the drive, then the drive and filter must be mounted on the same metal back-plate, and their mounting surfaces must make a good direct electrical connection to it. The use of a plain metal back-plate (e.g. galvanised not painted) is beneficial for ensuring this without having to scrape off paint and other insulating finishes.

## Unidrive - M Model Size 2 Drives - EMC Data Sheet

The filter must be mounted close to the drive so that its connecting wires can be directly connected. The wires must not be extended.

A shielded (screened) or steel wire armoured cable must be used to connect the drive to motor. The shield must be bonded to the drive using the grounding clamp provided.



### 4.1.3 Separation of AC supply connections

The AC supply connections must be kept at least 100 mm (4 inches) from the drive, motor cable and braking resistor cable.

### 4.1.4 Connection of motor cable shield at the motor

Connect the shield of the motor cable to the ground terminal of the motor frame using a link that is as short as possible and not exceeding 50 mm (2 inches) in length. A full 360° termination of the shield to the motor terminal housing (if metal) is beneficial.

# Unidrive - M Model Size 2 Drives - EMC Data Sheet

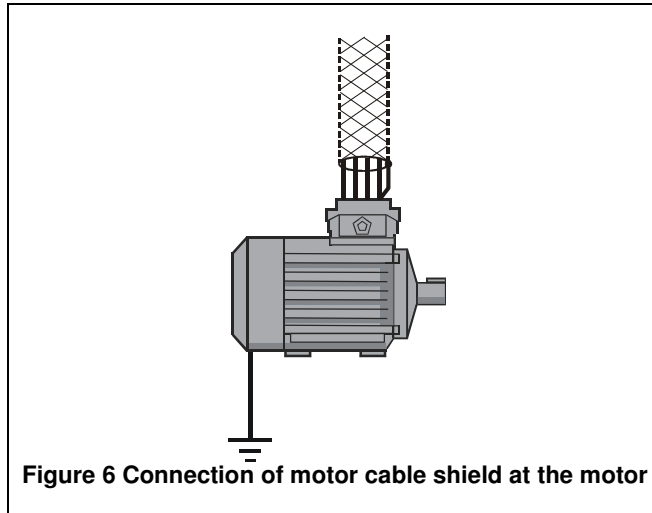


Figure 6 Connection of motor cable shield at the motor

### 4.1.5 Use of additional safety earth wire

If an additional safety earth wire is required for the motor, it can either be carried inside or outside the motor cable shield. If it is carried inside then it must be terminated at both ends as close as possible to the point where the screen is terminated. It must always return to the drive and not to any other earth circuit.

### 4.1.6 Braking resistor wiring

Wiring to the braking resistor should be shielded. The shield must be bonded to the back-plate using an un-insulated metal cable-clamp. It need only be connected at the drive end.

If the braking resistor is outside the enclosure then it should be surrounded by an earthed metal shield.

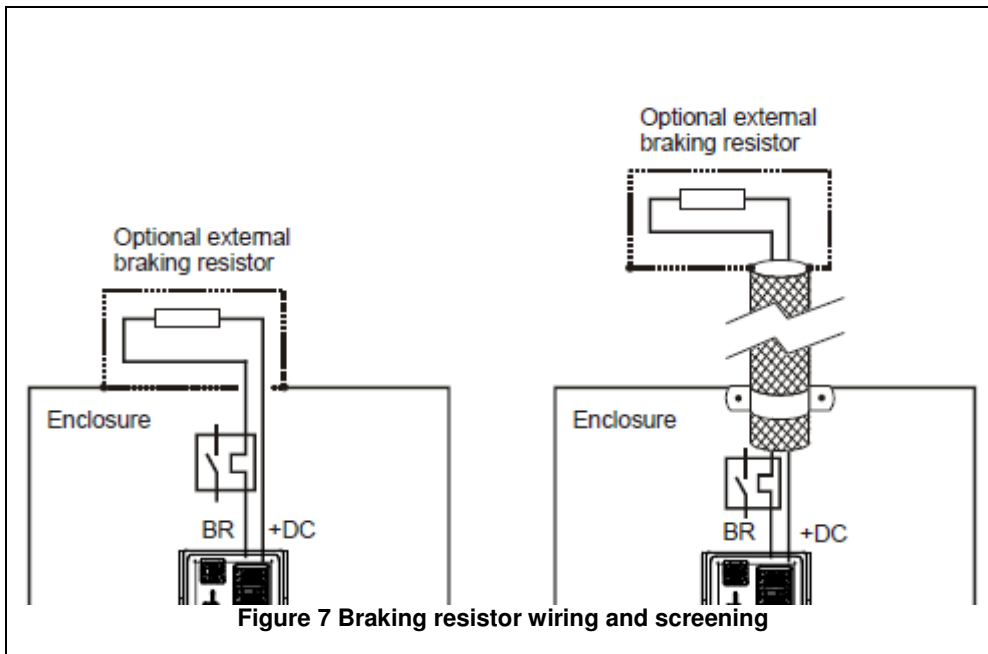
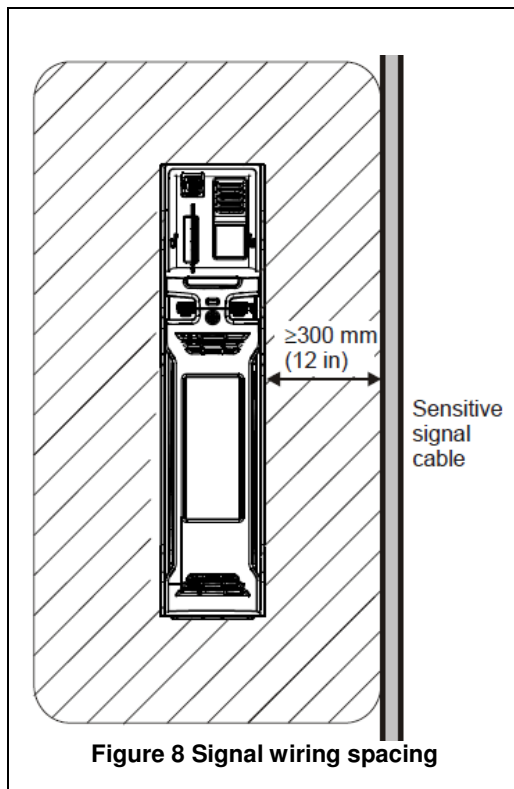


Figure 7 Braking resistor wiring and screening

### 4.1.7 Signal and control wiring

Signal and control wiring must be kept at least 300 mm (12 inches) from the drive and motor cable.

## Unidrive - M Model Size 2 Drives - EMC Data Sheet



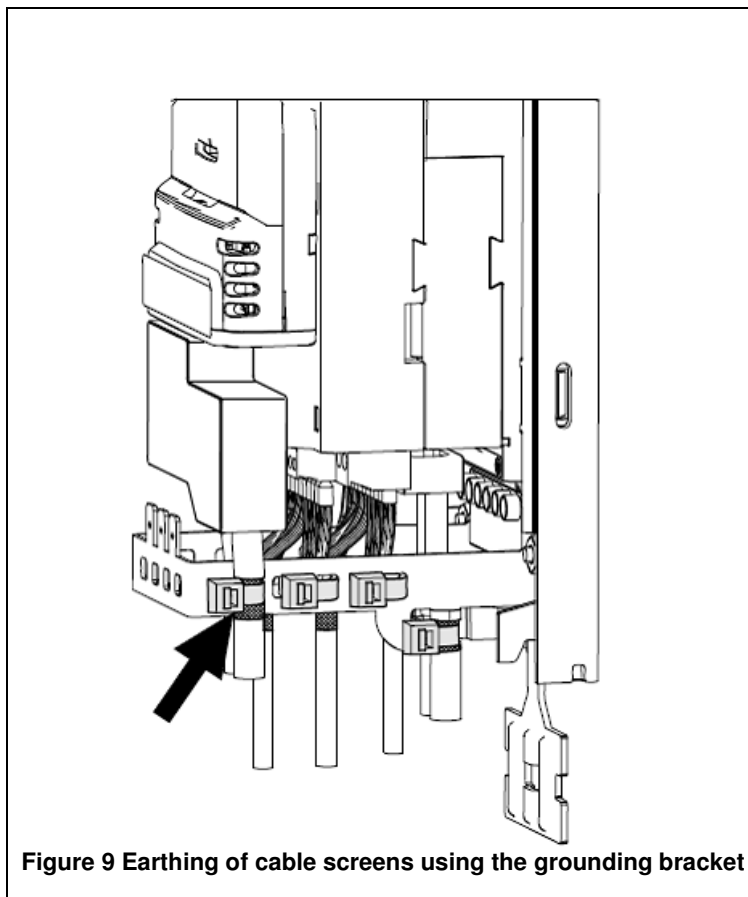
The control wiring "0 V" connection should be earthed at one point only, preferably at the controller and not at a drive.

### 4.1.8 Wiring routed outside the enclosure

If drive control wiring leaves the enclosure then one of the following additional measures must be taken: (This includes all control, encoder and option module wiring but not the status relay circuit or the serial port).

1. Use shielded cables (one overall shield or separate shielded cables) and clamp the shield(s) to the grounding bracket provided.
2. Pass the control wires through a ferrite ring part number 3225-1004. More than one cable can pass through a ring. Ensure the length of cable between the ring and drive does not exceed 125 mm (5 inches).

## Unidrive - M Model Size 2 Drives - EMC Data Sheet



**Figure 9 Earthing of cable screens using the grounding bracket**

### 4.1.9 Interruptions to the motor cable

The motor cable should ideally be a single run of shielded cable having no interruptions. In some situations it may be necessary to interrupt the cable, for example to connect the motor cable to a terminal block within the drive enclosure, or to fit an isolator switch to allow safe working on the motor. In these cases the following guidelines should be observed. The most important factor is always to minimise the inductance of the connection between the cable shields.

### 4.1.10 Terminal block within enclosure

The motor cable shields should be bonded to the back-plate using un-insulated cable-clamps which should be positioned as close as possible to the terminal block. Keep the length of power conductors to a minimum and ensure that all sensitive equipment and circuits are at least 0.3 m (12 inches) away from the terminal block.

# Unidrive - M Model Size 2 Drives - EMC Data Sheet

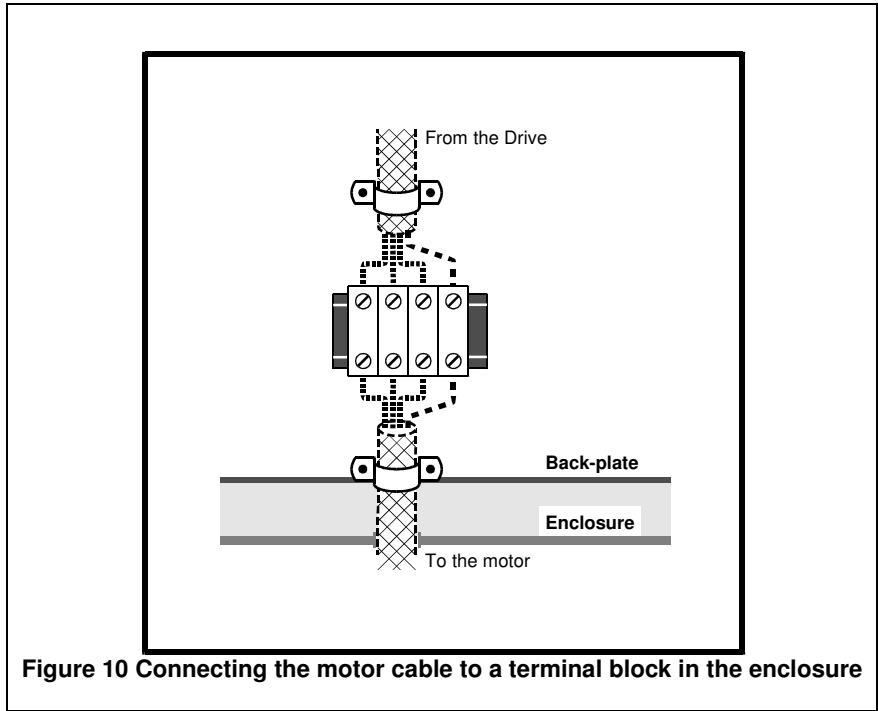


Figure 10 Connecting the motor cable to a terminal block in the enclosure

## 4.1.11 Using a motor isolator switch

The motor cable shields should be connected by a very short conductor having a low inductance. The use of a flat metal bar is recommended; conventional wire is not suitable. The shields should be bonded directly to the coupling bar using un-insulated metal cable-clamps. Keep the length of power conductors to a minimum and ensure that all sensitive equipment and circuits are separated by at least 0.3 m (12 inches). The coupling bar may be grounded to a known low impedance ground nearby, for example a large metallic structure which is connected closely to the drive ground.

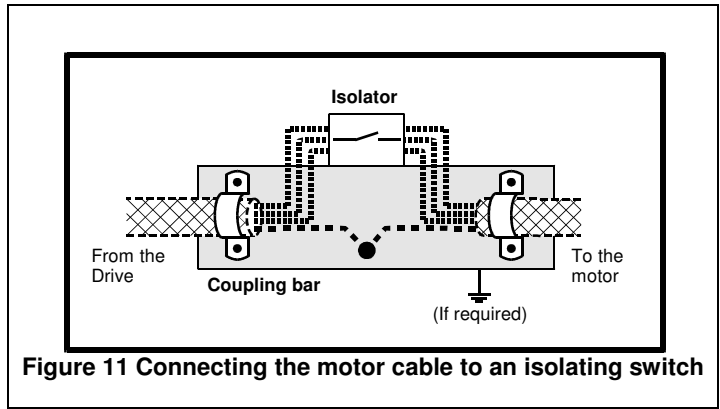


Figure 11 Connecting the motor cable to an isolating switch